

Series H

Series MH

Series LH

Series A

Series MN

Hyd-Pneu Devices

Cyl Accessories

Manipulators

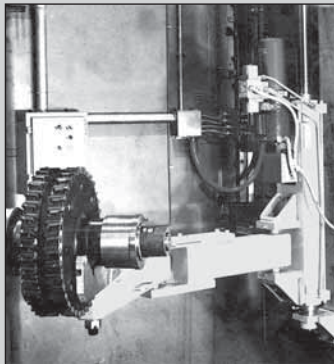


Safe, convenient positioning of loads up to 2,000 lbs.

- Quick, easy lifting and positioning of heavy dies, tooling and parts
- One-man control — saves time and labor
- Mounts directly on machine, I-beam or vertical surface
- Vertical travel is easily controlled with 8.0 ft remote pendant push-button control
- Articulated arm simplifies positioning of load, folds away for convenient storage
- Metering orifice slows downward motion
- 2-speed control permits fast movement and precise positioning of load

Features

- Hydraulic power to lift, operator movement to locate the load
- 12 inch and 24 inch vertical travel
- Electric powered, self-contained, stand-alone hydraulic power unit controls vertical travel with manual horizontal positioning of the load by the operator
- Lift speeds of 22 in/min. to 117 in/min.



Large and complex cutters are often impossible to handle without some mechanical assistance. The Pow'r Arm™ was adapted for this specific application.



In automated forging processes, hot metal blanks are fed automatically into a progressive die. Each die segment may weigh several hundred pounds and must be handled quickly, easily and safely.



Large shear blades are used to cut steel bars and billets. When these blades become worn the Pow'r Arm™ performs speedy removal and replacement of the blades safely with minimal disruption to the process.

MPA-Series Pow'r Arm™ Technical Data

POWER SUPPLY

Pow'r Arm™ includes a complete, self-contained, stand-alone power supply. It consists of a pump, motor, coupling, coupling adapter, hydraulic reservoir and controls.

The electric-hydraulic units have a pre-set relief valve to prevent overloads and a check valve which retards descent of the load if the power fails. Pressure settings for relief valves are set as shown in the "Hydraulic Specifications" table to the right.

▼ Hydraulic Specifications

Model Number	Pressure Rating (psi)	System Fluid Capacity (gal)	Vertical Travel Speed (in/min)
MPA-25	300	2.0	117
MPA-50	300	2.0	54
MPA-100	300	2.0	37
MPA-200	300	2.0	22

▼ Electrical Specifications

AC		Phase	Amps
Voltage	Hz		
115*	60/50	1	9
220	60/50	1	7
440	60/50	3	3.5

* STD. - Unless otherwise specified.

▼ HOW TO ORDER

Example: **MPA - 25 - 12 - 24/24 - 7 - SH - S**

Model No. & Load Capacity _____

Vertical Travel ("S" from dim. chart below) _____

Rated Reach ("A" and "B" from dim. chart below) _____

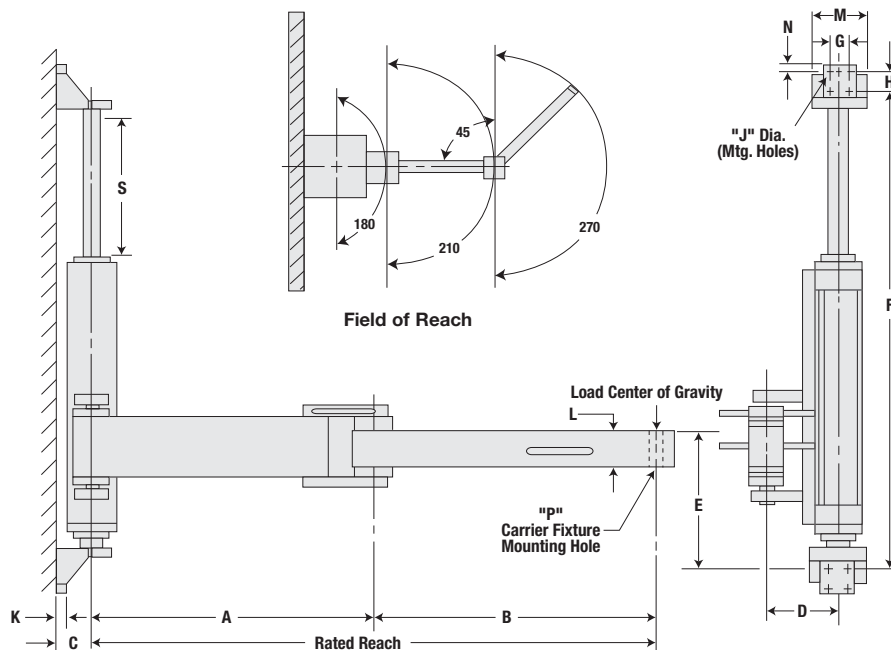
Seals _____
 Buna (standard) - 7 ; Viton (optional) - 8

Power Unit (SH = Electric-Hydraulic) _____

Modification from Standard - S _____
 (If Applicable)

Operating Specs. - Model MPA

Rated Load:	250-2000 lbs.
Working Radius:	24-36 in.
Pump:	1.5 GPM, 3450 RPM
Pressure Rating:	600 psi
Motor:	0.5 hp, 3450 RPM, C Frame
Reservoir Capacity:	2.0 gal.
Lowering Power:	Gravity (Controlled by Needle Valve)
Operating Controls:	2-button Up/Down Pendant
Electrical Requirements:	20 Amps, 115V / 60 Hz
Down Speed:	Adjustable with Needle Valve
Total Weight: 560 lbs.	275-1600 lbs.



Safety Relief Valve

Relief valves are pre-set at the factory to prevent overloading of the cylinder arm assembly.

Dual Speed Control

The vertical travel is controlled by a hand held push-button pendant, connected to the hydraulic power unit. Dual speed provides maximum performance and control.

Integrated Hydraulic Controls

All hydraulic controls are integrated into compact manifold packages to minimize space and system hydraulic connections. Controls are designed to provide positive load holding.

▼ DIMENSIONAL CHART

Load Cap. (lbs)	Model No.	Dimensions (in)															Wt.
		A	B	C	D	E	F	G	H	J	K	L	M	N	P	S	
250	MPA-25	24.00	24.00	3.75	5.88	11.25	39.38	1.75	1.75	.43	.50	3.00	3.75	.50	.753/1.755	12.00	275
500	MPA-50	24.00	24.00	4.50	7.25	17.43	77.38	4.00	2.00	.56	1.00	4.00	8.00	1.00	1.003/1.005	24.00	750
1000	MPA-100	30.00	30.00	5.50	8.50	19.15	75.81	4.50	3.50	.68	1.25	5.00	8.00	1.00	1.503/1.505	24.00	975
2000	MPA-200	36.00	36.00	6.50	10.75	22.75	78.12	6.00	4.00	.81	1.50	6.00	10.00	.75	1.503/1.505	24.00	1600