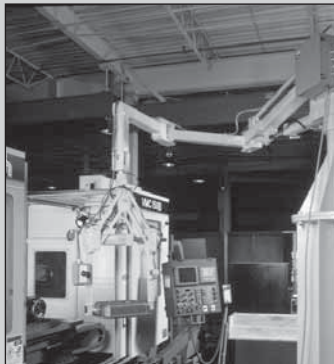


## For fast, easy lifting and precise positioning of tombstones, vises and materials

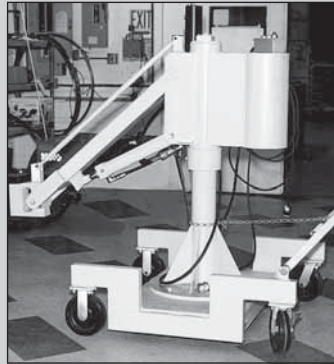
- Available in 250 lbs or 750 lbs capacity
- 58-inch vertical travel, 8.5 foot reach, 350 degree rotation
- One-person control – saves time and labor
- Low column profile for maneuverability
- Two-speed pendant control permits fast movement and precise positioning
- Special bearings prevent drifting of load

### Standard Features

- 58" vertical travel
- Self-contained hydraulic power unit for lifting with manual horizontal power
- Rapid up speed - Full 58 inches travel in 15 seconds
- Vented reservoir with sintered metal breather filter
- Buna cylinder seals are standard; Viton seals available upon request



Parts are selected from pallets and moved to working stations. The smooth, positive hydraulic control of the Pow'r Reach™ permits picking and positioning of expensive parts safely and precisely.



Portable dolly-mounted Pow'r Reach™ provides flexibility to accommodate a wide variety of applications. For stability, a counterweight is welded to the column of these models.



A Pow'r Reach™ is used to position parts in machining centers. It is useful and effective because of the ease and convenience with which the heavy parts are handled.

# MPR-Series Pow'r Reach™ Technical Data

## POWER SUPPLY

All Pow'r Reach™ units include a complete self-contained electric-hydraulic power supply mounted on the column. The standard power supply is driven by a single-phase electric motor. Standard voltages, frequencies and motor specifications are in the table below. Custom configurations are available upon request.

## HOW TO ORDER

Example: **MPR - 25 - SH - 7 - S**

Model No. & Load Capacity \_\_\_\_\_  
 Power Supply \_\_\_\_\_  
     SH - Electric / Hydraulic (standard)  
     SAH - Air / Hydraulic (MPR-25 only)  
 Seals \_\_\_\_\_  
     Buna (standard) -7 Viton (optional) -8  
 Modification from standard -S \_\_\_\_\_  
 (if applicable)

### Safety Relief Valve

Relief valves are pre-set at the factory to prevent overloading of the cylinder arm assembly.

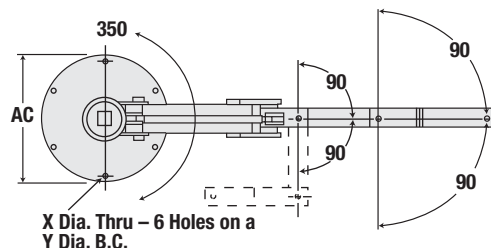
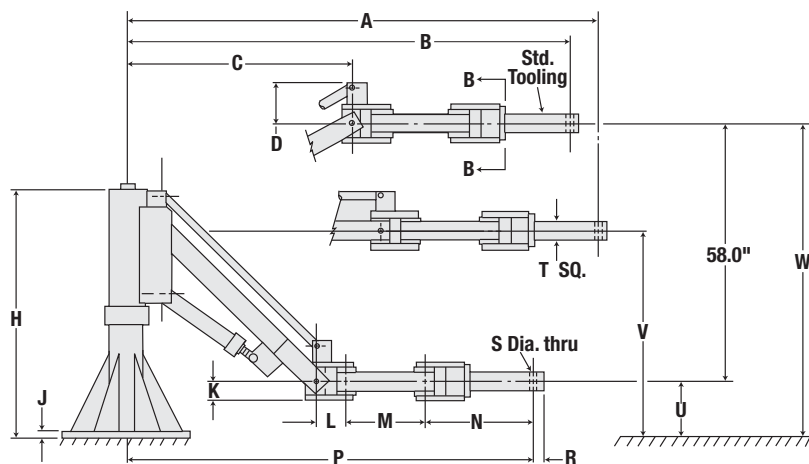
### Dual Speed Control

Standard on the MPR-25 for maximum performance and control. Variable speed proportional control is standard on the MPR-75 and optional on the MPR-25.

### Integrated Hydraulic Controls

All hydraulic controls are integrated into compact manifold packages to minimize space and system hydraulic connections. Controls are designed to provide positive load holding.

Operating Specifications	Model MPR-25	Model MPR-75
Rated Load:	250 lbs.	750 lbs
Working Radius:	102.00 in.	103.50 in.
Pump:	1.5 GPM, 3450 RPM	2.8 GPM, 1750 RPM
Pressure Rating:	600 psi	600 psi
Motor:	0.5 hp, 3450 RPM, C Frame	1.5 hp, 1750 RPM, C Frame
Reservoir Capacity:	2.0 gal.	3.0 gal.
Lowering Power:	Gravity, Controlled by Needle Valve	Hydraulic Power Unit
Operating Controls:	2-button Up & Down Pendant Control	Joystick, Variable Speed Control Proportional Valve
Electrical Requirements:	20 Amps, 115V / 60 Hz	30 Amps, 220V / 60 Hz
Down Speed:	Adjustable with Needle Valve	Joystick Variable Speed Control
<b>Mounting Data</b>		
Mounting Bolt-Pull-Out Force:	4000 lbs. Minimum	7000 lbs. Minimum
Total Weight, Floor-Mounted Pow'r Reach:	560 lbs.	1183 lbs.



## DIMENSIONAL CHART

Load Cap. (lbs)	Model No.	Dimensions (in)																			
		A	B	C	D	H	J	K	L	M	N	P	S	R	T	U	V	W	X	Y	AC
250	<b>MPR-25</b>	102.00	95.50	47.50	7.50	53.00	.75	3.50	5.00	19.00	24.00	88.00	1.62	.755/.753	3.00	12.50	46.50	70.50	.56	18.00	22.00
750	<b>MPR-75</b>	103.50	97.06	49.06	8.75	55.50	1.00	4.00	6.50	17.50	24.00	89.50	2.00	1.005/1.003	4.00	12.50	46.50	70.50	.84	26.00	28.00